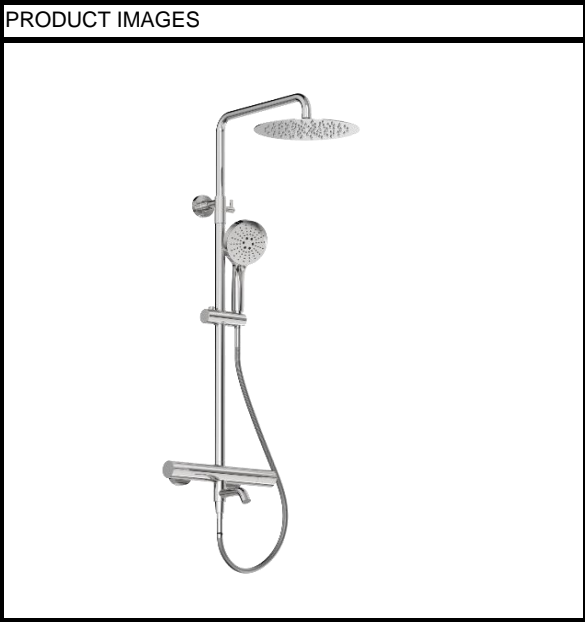


Product specification



PRODUCT FEATURES:

Type : Thermostatic concealed shower mixer

Code : SH - 0416

Material : Thermostatic mixer(ZnA14 handle) / stainless steel rain shower / plastic handshower / SUS 304 hose

Finishing : Chrome

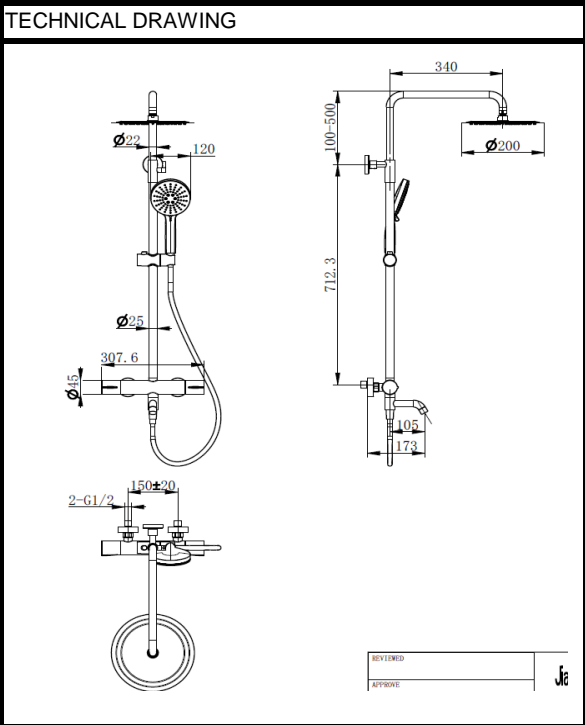
Pressure : 0.5~10 bar

Components included:

- \* Thermostatic cartridge,anti-scald 38°C safety stop
- \* Stainless steel shower head - 20cm
- \* Vernet thermostatic cartridge
- \* 3-function ABS handshower
- \* Easy clean shower spray
- \* 150cm SUS 304 shower hose 1/2"
- \* Height adjustable hand shower holder
- \* Overhead shower angle adjustable
- \* Water Aerator

FLOW RATE:L/MIN

Water pressure	1bar	2bar	3bar	4bar	5bar
Rain shower	6,5	9,55	11,84	13,83	15,88
Handshower	4,39	6,51	8,34	9,89	11,56
Spout	7,29	10,85	13,68	16,04	18,14



REMARKS:

- \* Plating thickness passes AASS 24H test under lab conditions;

WARRANTY:

ROCELL BATHWARE guarantees all its Chrome plated ranges of mixers and taps for a period of 5 years and accessories 2 years from the date of purchase against defect of work or materials, except for the electronic parts and the internal components such as ceramic cartridges, handworks, headworks and thermostatic cartridges which are guaranteed for a period of 2 years.